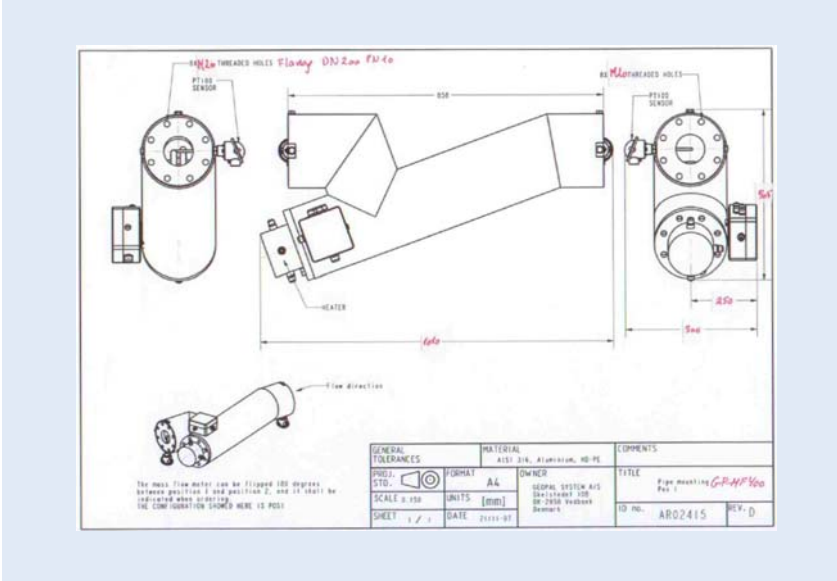




# Geopal GP-MF400



GP-MF is the result of several years of testing and development, which has now evolved into a unique and user-friendly product. The revolutionary thing about this product – and the feature upon which the patent is based – is that any changes in the gas composition are continuously taken into account. Hereby, it is possible to determine the methane mass flow with an uncertainty of less than  $\pm 3\%$



## Description:

## Specifications:

### GP-MF400

Approvals EEx

Explosive atmospheres,  
Certificate no.

94/9/EC (ATEX)

Epsilon 07 ATEX 2397



II 2G EExd de ia IIC T5

CE-marking Conforming to the provisions of

Low Voltage Directive

2006/95/EC (LVD)

Electromagnetic Compatibility Directive

2004/108/EC (EMC)



03 ATEX Q133996



DBI reg. Nr. 233.301

A12060  
ISO9001:2000

# Technical Data

## Description:

## Specifications:

### GP-MF 400

Control cabinet	
Supply voltage:	3x400V AC
Frequency:	50/60 Hz
Power consumption:	4000 W
Max fusing:	13A
Output signals	
Analogue output1:	4-20 mA Volumetric percentage: 0-100% methane
Analogue output2:	4-20 mA 0-100 % of the measurement range 0-400 kg/h 2 mA in case of error
Signal for accumulated amount:	Relay contact, 0.5kg per status change
Signal for Alarm 1:	Relay contact, Flow stopped
Signal for Alarm 2:	Relay contact, Heating element shut off because of excess temperature
Cable specifications	
Supply voltage:	JZ 3x1.5 mm <sup>2</sup>
Armoured cable for heating element:	JZ SY 3x1.5 mm <sup>2</sup>
Multi-cable for connection box:	JZ 14x1 mm <sup>2</sup>
Environment	
Operating temperature:	0 °C to + 50 °C
Humidity:	0-95% relative humidity, non-condensing
IP rating (Ingress Protection):	IP 54
Measuring tube	
Flow CH <sub>4</sub> :	20-400 Kg/h
Heating rod:	3700W
Tube DN/PN:	200/10
Pressure loss above the meter at 50 kg/t CH <sub>4</sub> :	14 hPa
Respect distance at installation	0 m
Absolute accuracy better then	+/- 3 %
Long-term stability	+/- 3 %
Repeat accuracy	+/- 1 %
Parts in contact with biomass	AISI 316L
Connection box	Painted aluminium
External casing	Painted PE-HD
Installation temperature, measuring tube	-25 °C to + 50 °C
Storing temperature	-25 °C to + 60 °C
Gas temperature (intake)	+5 °C to + 65 °C
IP rating (Ingress Protection)	IP 55
Shut off temp. for heating rod	90 °C